

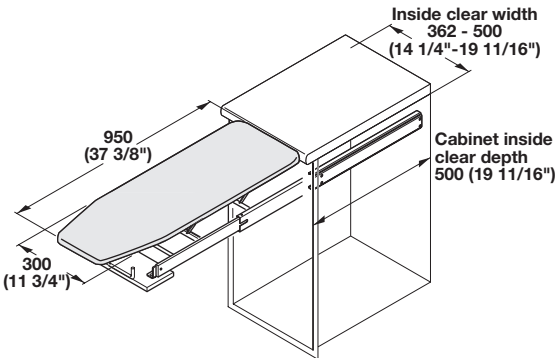
Häfele Ironfix®



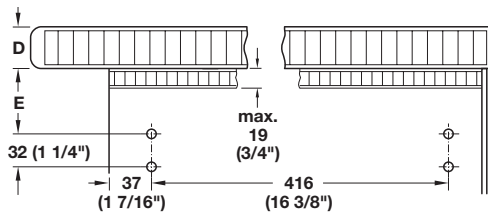
- > Space-saving, cabinet drawer installation
- > Integrated spring mechanism
- > Drawer front folds down to allow for trousers, shirts, etc.
- > Support extends automatically as ironing board is pulled out
- > Continuous width adjustment for inside clear widths: 362–500 mm (14 1/4"–19 11/16")
- > Inside clear depth: 500 mm (19 11/16")

Note
 See Iron Holder on page 4.148.

→ **Built-In Ironing Board**



Use the below dimensions to match ironing surface to countertop height. The maximum countertop overhang is 55 mm (2 3/16").



D	20 mm (7/8")	30 mm (1 1/8")	40 mm (1 1/2")	50 mm (2")
E	86 mm (3 3/8")	76 mm (3")	66 mm (2 1/2")	66 mm (2 1/2")

> Material: Steel, epoxy-coated; Surface: heat-resistant striped fabric-covered

Finish	Item No.
white RAL 9016	568.60.710

Supplied With
 Installation hardware
 Runners

→ **Replacement Heat-Resistant Cover**



- > For ironing board with elastic band
- > Material: Natural Cotton, foam-backed

Color	Item No.
white/gray striped	568.60.907

→ **Sleeve Board, optional**



- > Retrofits easily to Ironfix™ built-in ironing board

Color	Item No.
white RAL 9016	568.61.700

→ **Replacement Heat-Resistant Cover**

- > For sleeve board with elastic band
- > Material: Natural Cotton, foam-backed

Color	Item No.
white/gray striped	568.60.916

Dimensional data not binding. Dimensions in mm, inches are approximate. We reserve the right to alter specifications without notice.